

MANISCOPIC

MT 1030
S & ST

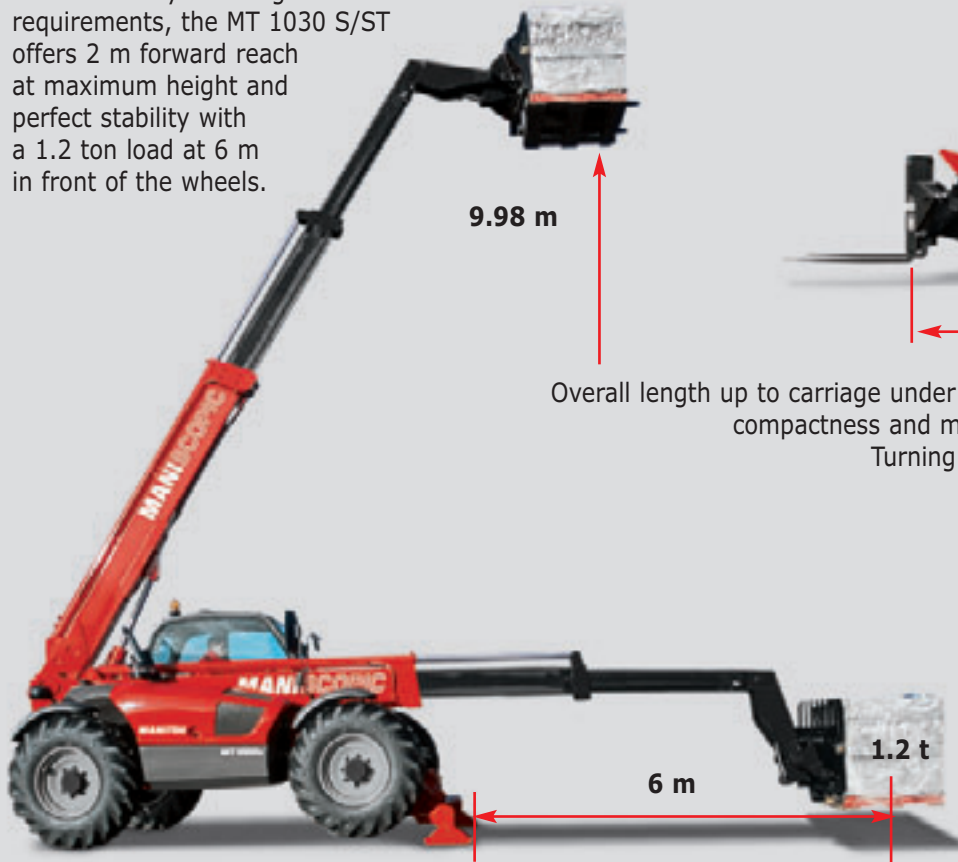


- Capacity: 3000 kg
- Lift height: 9.98 m
- Compact stabilizers
- Load Place System (LPS)
- Torque convertor transmission

 **MANITOU**

Exceptional lifting performances...

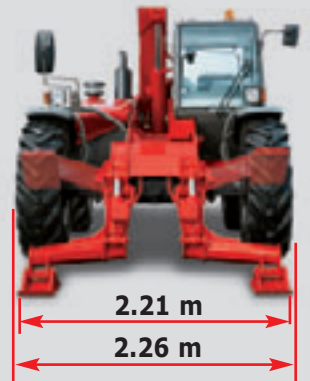
To match daily handling requirements, the MT 1030 S/ST offers 2 m forward reach at maximum height and perfect stability with a 1.2 ton load at 6 m in front of the wheels.



...without compromising compactness



Overall length up to carriage under **5 m** and short rear overhang offer all the compactness and manoeuvrability required in confined sites. Turning radius of **3.75 m** for easy manoeuvring.



Proportional and independent stabilizers lowering on a 2.21 m width. Ideal in restricted spaces with minimum damage to the surface.

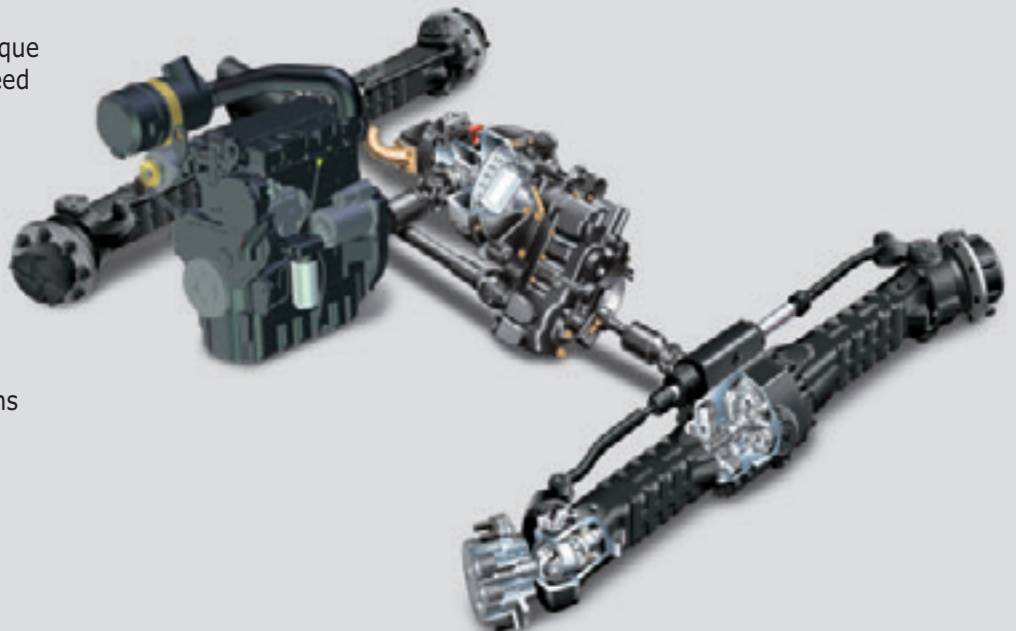
All the power required for loading

95 or 101 HP Perkins Engine and torque converter transmission driving a 4 speed gear box, perfectly suited for travelling on the road.

8200 daN (S) or **8300 daN (ST)** drawbar pull enabling fast achievement of any loading task.

Hydraulic Pump operating at **250 bars** and supplying a **105 l/mn** flow.

Simultaneous use of hydraulic functions and **5350 daN** tear out force.



Efficient on site

Load Place System (LPS)

Two proportional and simultaneous hydraulic functions in one hand.



PLACING:
Lift/Lower + Tel Out/Tel In



LOADING:
Lift/Lower + Crowd/Dump



Dual lever system fitted directly on valve bank. Transmission cut off switch allocating all the engine power to hydraulic performances.

In addition, the forward/reverse selector is now integrated into the **LPS**, allowing the operator to keep the left hand on the steering wheel for greater safety.



Total safety

As well as exceptional performances, the MT 1030 S/ST operates in total safety whatever the environment or the task to undertake.



Brakes on both axles





Progressive Safe Load Indicator


* Option : Automatic cut off of endangering movements





MT 1030 S/ST


 **Lifting capacity**3000 kg
at 500 mm from forks heels.
Tipping load at maximum reach1160 kg
Tear at force with toothed
digging bucket (Iso 8313 - 1986)5330 daN


 **Lifting height**9.98 m
Times: Unladen/loaded (in s)
Lifting6.7/9
Lowering5.2/5.4
Simultaneous extension 1st and 2nd booms ...13.8/14.2
Simultaneous retraction 1st and 2nd booms8.6/7.3
Time unladen (in s)
Crowding3
Dumping2.5


 **Tyres**
400/80 - 24 156 A8 TL

 **Forks (mm)**
Length1200
Width x thickness125 X 45
Maximum distance between forks1040
Carriage rotation126°


 **Hydraulically operated brakes
with oil-immersed multi discs on both axles**

 **Perkins Engine**
Type S:1104D-44T
ST:1104D-44TA
Capacity4 cyl. 4400 cm³
Power (ISO 14396) S:70 kW/95 HP
ST:74,5 kW/101 HP
Maximum torque S:392 Nm at 1400 rpm
ST:410 Nm at 1400 tr/mn
Direct injection
Water cooling

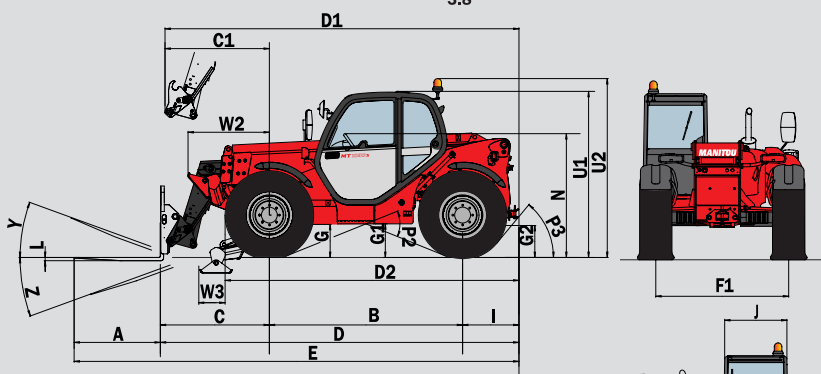
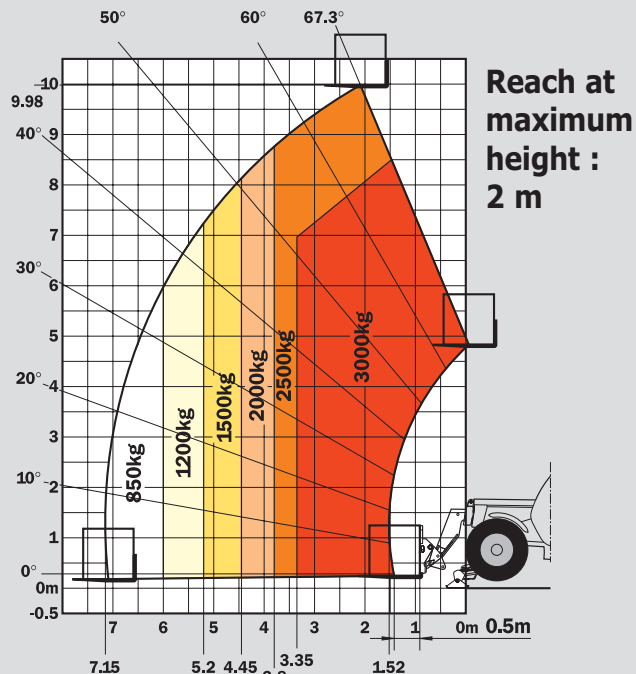
 **Transmission**Torque Convertor
Electro - Forward/Reverse selector
4 gears forward and reverse
Maximum travel speed25 km/h

 **Hydraulics**
Gear type:250 bars /105 l/mn
Flow divider with priority to steering and brakes.

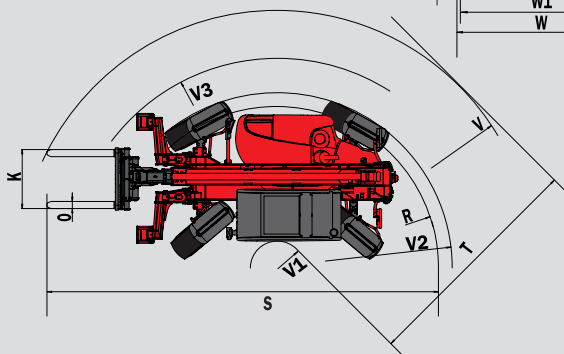
 **Capacities**
Cooling system18.5 l.
Engine oil10.5 l.
Hydraulic oil125 l.
Transmission oil15.5 l.
Fuel tank120 l.

 **Weight unladen (with forks)**7470 kg
Overall width2.26 m
Overall height2.30 m
Turning radius (outside wheels)3.75 m
Length up to carriage4.99 m
Ground clearance0.44 m
Drawbar pull8200/8300 daN

Under Norme
EN 1459
annexe B



	mm
A	1200
B	2690
C	1513
C1	1602
D	4992
D1	5081
D2	4064
E	6192
F	1846
G	455
G1	440
G2	440
G3	220
I	789
J	865
K	1040
L	45
N	1690
O	125
P2	44°
P3	53°
R	3545
S	7810
T	3640
U1	2300
U2	2550
V	4950
V1	1310
V2	3753
V3	4200
W	2261
W1	2210
W2	1132
W3	340
Y	12°
Z	114°



Standard :

- Beacon
- Floating forks carriage
- Attachment hydraulic line
- Reverse alarm and lights

Options :

- Wide range of attachments (buckets, jibs, made to measure attachments)
- Air conditioning
- Work lights
- ...

