

TZ-34/20

**Trailer
Mounted
Z-Boom**



Industry leading
outreach and
working envelope.



Genie Industries

Industry Leading Design and Performance

The introduction of the new Genie TZ-34/20 has revolutionized the aerial lifting industry by including technology and features that set new standards of excellence in the trailer mounted boom marketplace. The TZ-34/20 provides a platform height of 34 ft and 20 ft of outreach. This lightweight unit is robust, easy to tow and sets up quickly. The TZ-34/20 is an excellent all round solution.



Industry Leading Working Envelope



Easy to Transport

Standard Features

Rigid Chassis and Outriggers Design

The TZ-34/20 is an inherently durable unit. The rigid chassis with its heavy duty base and robust outriggers make the TZ the best solution for large and small contractors, maintenance crews, and homeowners.

Articulating and Telescopic Primary Boom

The articulating boom and telescopic primary boom provide an industry-leading working envelope allowing the operator to reach areas in the lower height range.

Easy to Transport

The TZ is easily towed behind any vehicle with a 2 in (50 mm) ball and class 2 hitch. Genie's tow speed rating of 60 mph (97 km/hr) is the highest in the industry, allowing faster transportation to job sites.

Dual Pneumatic Jockey Wheels

Heavy-duty jockey wheels balance the TZ for precise positioning of the machine during setup and transportation.

Simultaneous Down Function

Simultaneous down function provides the ability to lower both boom sections at the same time, providing quicker overall descent time for higher productivity.

Simple, Serviceable, Intuitive Control System

The simple and reliable control system offers easy serviceability on the TZ-34/20.

Easy Access to Batteries

Release clamp and remove cover for easy access to battery compartment.

Easy-to-Read Controls

Both ground controls and platform controls feature an easy-to-use system.

Easy to Maneuver and Position

The TZ is lightweight and easy to maneuver, position and store. It will meet the challenges of the working environment.

Hydraulic Outriggers with Automatic Leveling System

The exclusive Genie Automatic Leveling System is "self-leveling" and provides 11-degree leveling capability. This system allows the operator to hydraulically deploy the outriggers and automatically level the machine from the ground controls. Machine setup can be completed in less than 40 seconds when the operator deploys all four outriggers simultaneously.

The system self-levels the machine to 1 degree in all directions. The level sensor alarm will not sound unless the machine is over 2 ½ degrees out of level. This built-in tolerance provides resistance to level sensor "nuisance tripping," which can be a common occurrence on other trailer mounted booms.

Variable Speed Controller

Variable speed adjustment of all controls provide maximum productivity and safety.

Options and Accessories

Platform Rotation

A manual rotate mechanism allows the operator to rotate the platform 45 degrees horizontally in each direction.



Transport



Heavy duty mid pivot

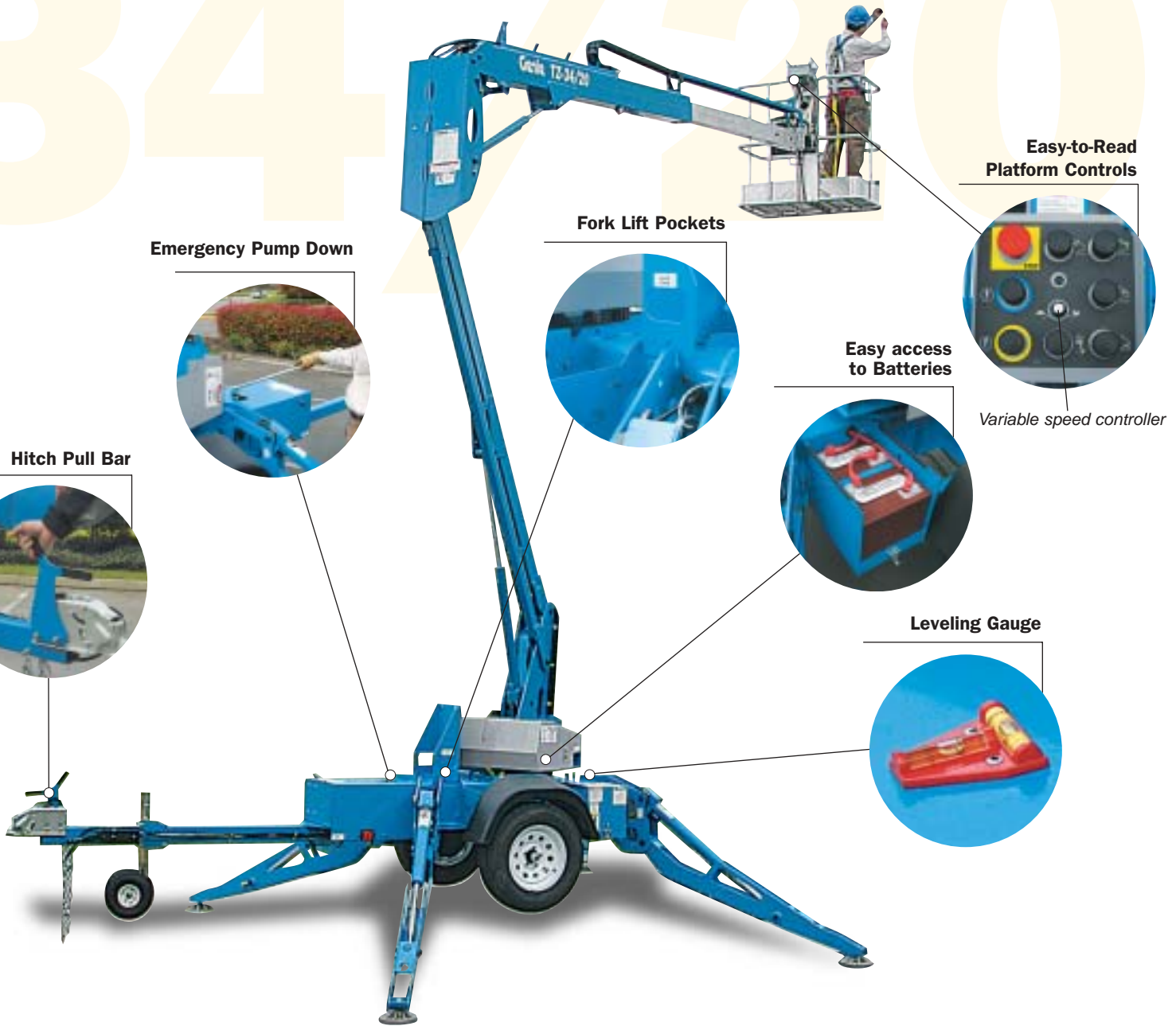


Extension Boom



Hydraulic Outriggers with Automatic Leveling System

34/20



Emergency Pump Down



Fork Lift Pockets



Easy access to Batteries



Easy-to-Read Platform Controls



Variable speed controller

Hitch Pull Bar



Leveling Gauge



TZ-34/20

Automatic Leveling System

The Exclusive Genie Automatic Leveling System is "self-leveling" and provides 11-degree leveling capability.

Working Envelope and Outreach

The articulating boom structure offers industry leading outreach and working envelope.

Reliability

Industry leading reliability with a simple control system which increases operator understanding and ease of serviceability.

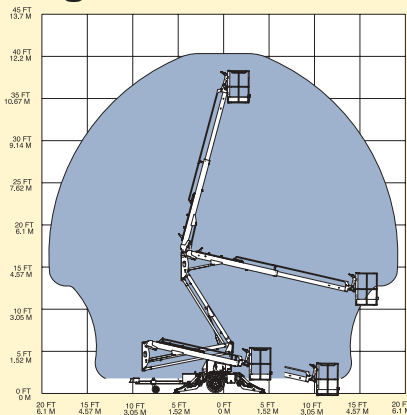
Easy to Transport

The TZ is easily towed behind any vehicle with a 2 in (50 mm) ball and Class 2 hitch.

Standard Features

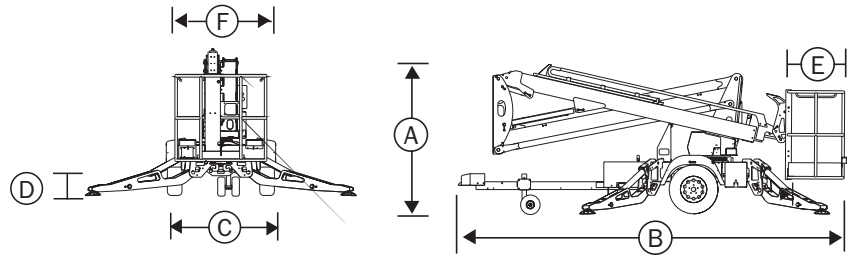
- 40 ft (12.36 m) working height
- 20 ft (6.1 m) working outreach
- 500 lb (227 kg) lift capacity
- Outrigger interlocks
- Hydraulic outriggers
- Variable speed system
- Automatic leveling system
- Self leveling platform
- AC wiring to platform
- Surge brakes
- Parking brake
- Hour meter
- 2 inch hitch coupler

Range of Motion



Options and Accessories

- Combination hitch and adjustable height coupler system
- 2 inch ball coupler
- 2 5/16 inch ball coupler
- 2 1/2 inch (6.35 cm) I.D. pintle ring coupler - US
- Clevis coupler - US
- Battery charge indicator
- Operational warning light package (flashing beacon)
- Platform rotation
- Fluorescent tube caddy
- Tool tray
- Spare tire
- Non-marking outrigger footpads



Specifications

	Model	US	Metric
	Working height*	40 ft	12.36 m
	Platform height	34 ft	10.36 m
(A)	Height - stowed	76.5 in	1.94 m
(B)	Length - stowed	16 ft 8 in	5.08 m
(C)	Width	4 ft 9.1 in	1.45 m
(D)	Ground clearance	9.5 in	24 cm
(E)	Platform length	26.8 in	68 cm
(F)	Platform width	44 in	112 cm
	Entry height - extended	6.4 in	16 cm
	Outreach - working	20 ft	6.1 m
	Outrigger footprint - length	10 ft 9 in	3.27 m
	Outrigger footprint - width	11 ft 10 in	3.6 m
	Leveling capability	11°	11°
	hydraulic outriggers		
	Lift capacity -		
	standard platform - ANSI, CSA	500 lb	227 kg
	Platform rotation option - ANSI, CSA	440 lb	200 kg
	Turntable rotation	359° non-continuous	
	Towing speed rating	60 mph	97 km/h
	Power source	24V DC	
	AC wiring to platform	standard	
	Tongue weight - ANSI, CSA	315 lb	143 kg
	Tire size	ST 205x75 R14	
	Surge brakes	standard	
	Parking brake	standard	
	Machine weight**	3,150 lb	1,432 kg

*The metric equivalent of working height adds 2 m to platform height. U.S. adds 6 ft to platform height.
**Weight will vary depending on options and/or country standards.

Standards Compliance

- ANSI A92.2
- CAN/CSA-C225-00

Distributed By:

Genie Industries

<p>GENIE UNITED STATES 18340 NE 76th Street P.O. Box 97030 Redmond, Washington 98073-9730 Telephone (425) 881-1800 Toll Free in USA/Canada 800-536-1800 Fax (425) 883-3475 http://www.genieindustries.com</p>	<p>GENIE UNITED KINGDOM The Maltings, Wharf Road Grantham Lincolnshire NG31 6BH England Telephone: +44 (0)1476 584333 Fax: +44 (0)1476 584334 http://www.genieindustries.com</p>
--	--